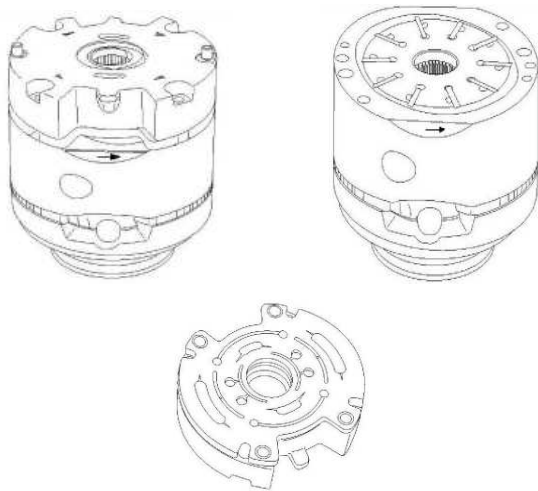




Eaton Vickers Vane Pump V and VQ series Cartridge Kits and Spare Parts

www.hyd pump.com

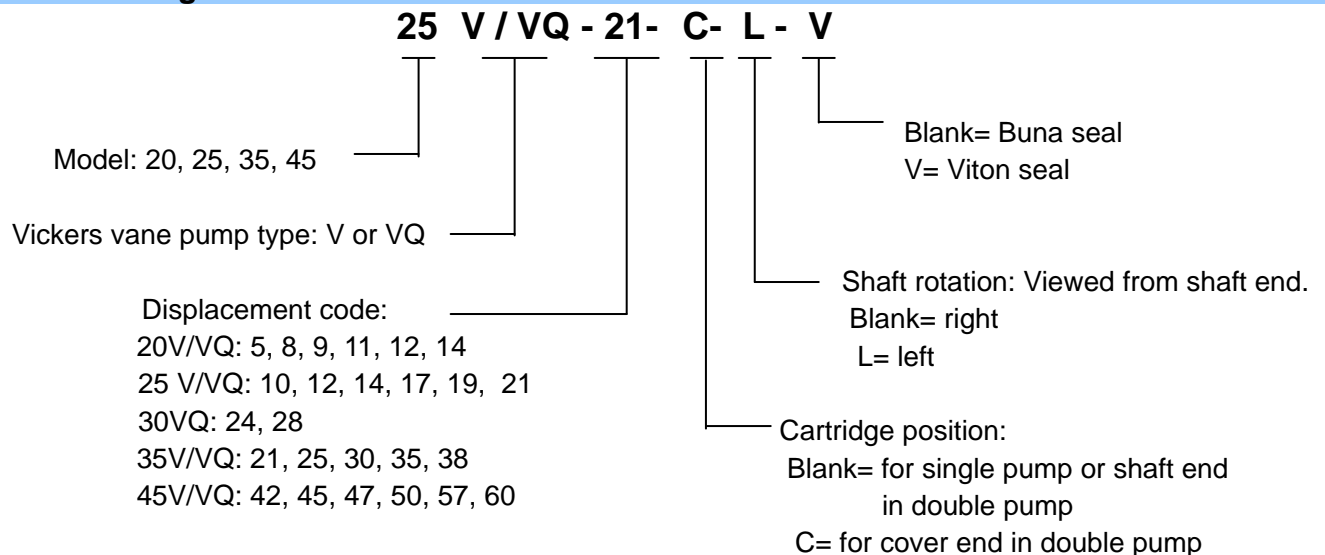
- Complete single and double vane pumps
- Cartridges kits and its spare parts
- Single and double vane pump shafts
- Single and double vane pump parts



Features

- Replacement parts for fixed displacement Vickers vane pumps (single and double vane pump V/VQ series).
- Available in both 12 vanes design for industrial application with quiet operating and 10 vanes design for mobile application with higher pressure and wider range of speed.
- With the cartridge independent of the shaft, allowing for easy change of flow capacity and field servicing without removing the pump from its mounting.
- We produced full range of Eaton Vickers cartridge kits for the V, VQ series vane pump.

Ordering code:



For more information and technical data, please contact us.