

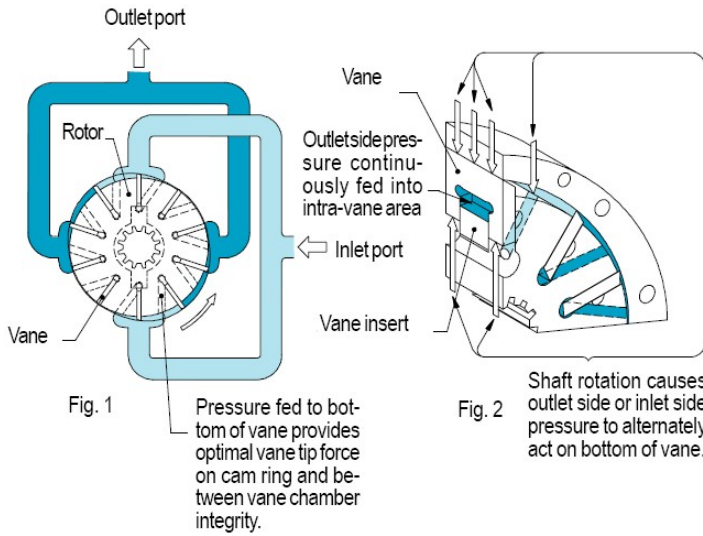


Hydraulic Eaton Vickers V Vane Pump

V series of single and double vane pump

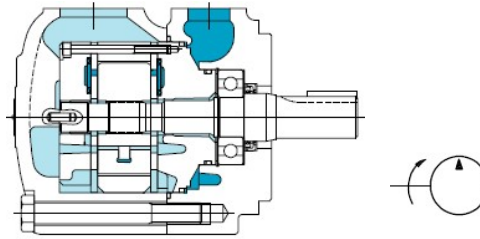
www.hydpump.com

Intra-vane Mechanism



Features

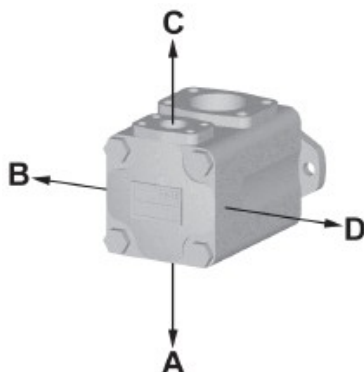
- Eaton Vickers V and VQ series are fixed displacement and balanced type hydraulic vane pumps. Available in both 12 vanes design for industrial application with quiet operating and 10 vanes design for mobile application with higher pressure and wider range of speed. They are widely used in hydraulic systems for machine-tools, presses, die casting machine, engineering, plastic injection molding and other machineries.
- Its interchangeable with original Vickers hydraulic pump of the same model.
- The inlet or outlet ports can be rotated through increments of 90° in relation to each other, providing application flexibility and easy installation.
- With the cartridge independent of the shaft, allowing for easy change of flow capacity and field servicing without removing the pump from its mounting.
- For the vane pump cartridge kit of VQ Series, the flexible plates are inserted between the support plates and the rotor. The flexible plates are assembled with the bronze facing towards the rotor to improve cold start capability and compensate thermal expansion in the rotor. This makes VQ Series particularly suited for mobile application.



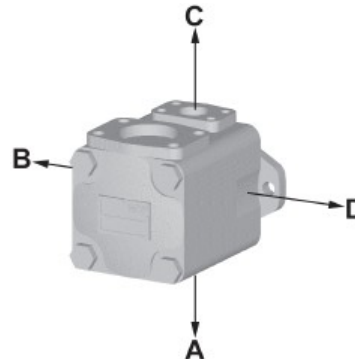
Single vane pump ordering code:

| 25 | VQ | 21 | A | - 1 | A | 22 | L | V |
|-----------------------------|--------------------------------------|----------------------|--|---|--|------------------|---|--------------------------------|
| Model: 20, 25, 35, 45 | Series: V=industrial VQ=mobile | Displacement code | Port connections: A=SAE 4-bolt flange | Shaft type: 1=straight keyed 86=heavy duty keyed 11, 151=splined | Outlet port position: A=opposite inlet port B=-90° CCW from inlet C=inline with inlet D=-90° CW from inlet | Design number | Rotation: Viewed from shaft end R=clockwise (blank) L=anti-clockwise | Seal: Blank=buna V=viton |

Port Positions for 20V/VQ:



Port Positions for 25V/VQ, 35 V/VQ, 45 V/VQ:





Specifications

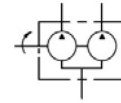
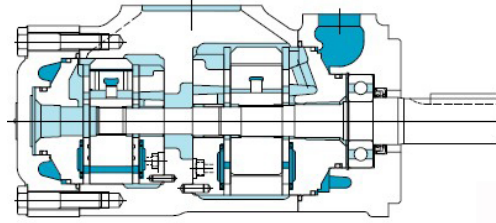
Single Pump V Series

| Series | Displacement code | Geometric displacement (ml/r) | Anti-Wear Mineral Oil | | Weight (KG) |
|---------------|-------------------|-------------------------------|-----------------------|---------------------|-------------|
| | | | Max. speed (rpm) | Max. pressure (MPa) | |
| 20V vane pump | 5 | 17 | 1800 | 21 | 12 |
| | 8 | 27 | | | |
| | 9 | 30 | | | |
| | 10 | 33 | | 16 | |
| | 11 | 36 | | | |
| | 12 | 40 | | | |
| | 14 | 45 | | | |
| 25V vane pump | 10 | 33 | 1800 | 17.5 | 14.8 |
| | 12 | 40 | | | |
| | 14 | 45 | | | |
| | 17 | 55 | | | |
| | 19 | 60 | | | |
| | 21 | 67 | | | |
| 35V vane pump | 21 | 67 | 1800 | 17.5 | 22.7 |
| | 25 | 81 | | | |
| | 30 | 97 | | | |
| | 35 | 112 | | | |
| | 38 | 121 | | | |
| 45V vane pump | 42 | 138 | 1800 | 17.5 | 34.1 |
| | 45 | 147 | | | |
| | 50 | 162 | | | |
| | 57 | 180 | | | |
| | 60 | 193 | | | |

Specifications

Single Pump VQ Series

| Series | Displacement code | Geometric displacement (ml/r) | Anti-Wear Mineral Oil | | Weight (KG) |
|----------------|-------------------|-------------------------------|-----------------------|---------------------|-------------|
| | | | Max. speed (rpm) | Max. pressure (MPa) | |
| 20VQ vane pump | 5 | 18 | 2700 | 21 | 12 |
| | 8 | 27 | | | |
| | 9 | 30 | | | |
| | 11 | 36 | | 16 | |
| | 12 | 40 | | | |
| | 14 | 45 | | | |
| 25VQ vane pump | 10 | 33 | 2700 | 21 | 14.8 |
| | 12 | 40 | | | |
| | 14 | 45 | | | |
| | 17 | 55 | 2500 | | |
| | 19 | 60 | | | |
| | 21 | 67 | | | |
| 35VQ vane pump | 21 | 67 | 2500 | 21 | 22.7 |
| | 25 | 81 | | | |
| | 30 | 97 | 2400 | | |
| | 35 | 112 | | | |
| | 38 | 121 | | | |
| 45VQ vane pump | 42 | 138 | 2200 | 17.5 | 34.1 |
| | 45 | 147 | | | |
| | 50 | 162 | | | |
| | 57 | 180 | | | |
| | 60 | 193 | | | |



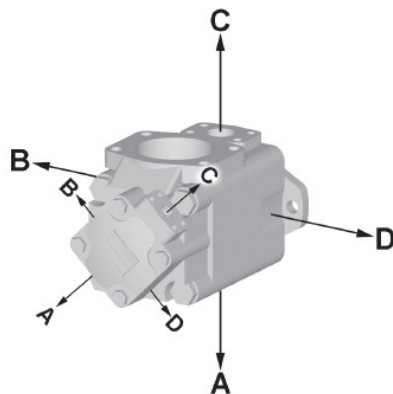
Double vane pump ordering code:

| 3525 | V | 38 | A | 21 | - 1 | AA | 22 | L | V |
|--|--|---|---|---|--|--------------------------------------|------------------|---|--------------------------------|
| Model: 2520, 3520, 4520, 3525, 4525, 4535 | Series: V=industrial VQ=mobile | Displacement code of shaft end pump | Port connections: A=SAE 4-bolt flange | Displacement code of cover end pump | Shaft type: 1=standard keyed 86=heavy duty keyed 11=splined | Outlet position* see below marked | Design number | Rotation: Viewed from shaft end R=clockwise (blank) L=anti-clockwise | Seal: Blank=buna V=viton |

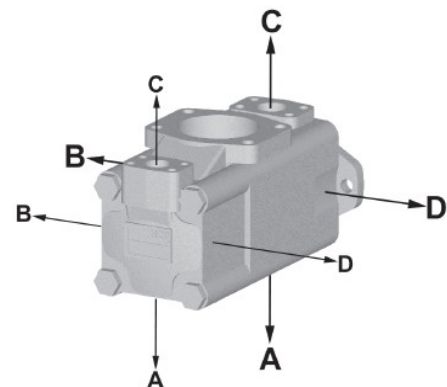
*Outlet position:

| Viewed from cover end | | All series except 4535VQ | 4535VQ |
|--------------------------------|-----------|---------------------------------|--------------------------------|
| No.1 outlet opposite inlet | AA | No.2 outlet 135° CCW from inlet | No.2 outlet opposite inlet |
| | AB | No.2 outlet 45° CCW from inlet | No.2 outlet 90° CCW from inlet |
| | AC | No.2 outlet 45° CW from inlet | No.2 outlet inline with inlet |
| | AD | No.2 outlet 135° CW from inlet | No.2 outlet 90° CW from inlet |
| No.1 outlet 90° CCW from inlet | BA | No.2 outlet 135° CCW from inlet | No.2 outlet opposite inlet |
| | BB | No.2 outlet 45° CCW from inlet | No.2 outlet 90° CCW from inlet |
| | BC | No.2 outlet 45° CW from inlet | No.2 outlet inline with inlet |
| | BD | No.2 outlet 135° CW from inlet | No.2 outlet 90° CW from inlet |
| No.1 outlet inline with inlet | CA | No.2 outlet 135° CCW from inlet | No.2 outlet opposite inlet |
| | CB | No.2 outlet 45° CCW from inlet | No.2 outlet 90° CCW from inlet |
| | CC | No.2 outlet 45° CW from inlet | No.2 outlet inline with inlet |
| | CD | No.2 outlet 135° CW from inlet | No.2 outlet 90° CW from inlet |
| No.1 outlet 90° CW from inlet | DA | No.2 outlet 135° CCW from inlet | No.2 outlet opposite inlet |
| | DB | No.2 outlet 45° CCW from inlet | No.2 outlet 90° CCW from inlet |
| | DC | No.2 outlet 45° CW from inlet | No.2 outlet inline with inlet |
| | DD | No.2 outlet 135° CW from inlet | No.2 outlet 90° CW from inlet |

**Port Positions for 2520V/VQ, 3520 V/VQ, 4520 V/VQ,
3525 V/VQ, 4525 V/VQ**



Port Positions for 4535 V/VQ





Specifications

Double Pump V Series

| Series | Displacement code of shaft end pump | Displacement code of cover end pump |
|-----------------|-------------------------------------|-------------------------------------|
| 2520V vane pump | 10, 12, 14, 17, 19, 21 | 5, 8, 9, 10, 11, 12, 14 |
| 2525V vane pump | 10, 12, 14, 17, 19, 21 | 10, 12, 14, 17, 19, 21 |
| 3520V vane pump | 21, 25, 30, 35, 38 | 5, 8, 9, 10, 11, 12, 14 |
| 3525V vane pump | 21, 25, 30, 35, 38 | 10, 12, 14, 17, 19, 21 |
| 4520V vane pump | 42, 45, 50, 57, 60, 66, 75 | 5, 8, 9, 10, 11, 12, 14 |
| 4525V vane pump | 42, 45, 50, 57, 60, 66, 75 | 10, 12, 14, 17, 19, 21 |
| 4535V vane pump | 42, 45, 50, 57, 60, 66, 75 | 21, 25, 30, 35, 38 |

Specifications

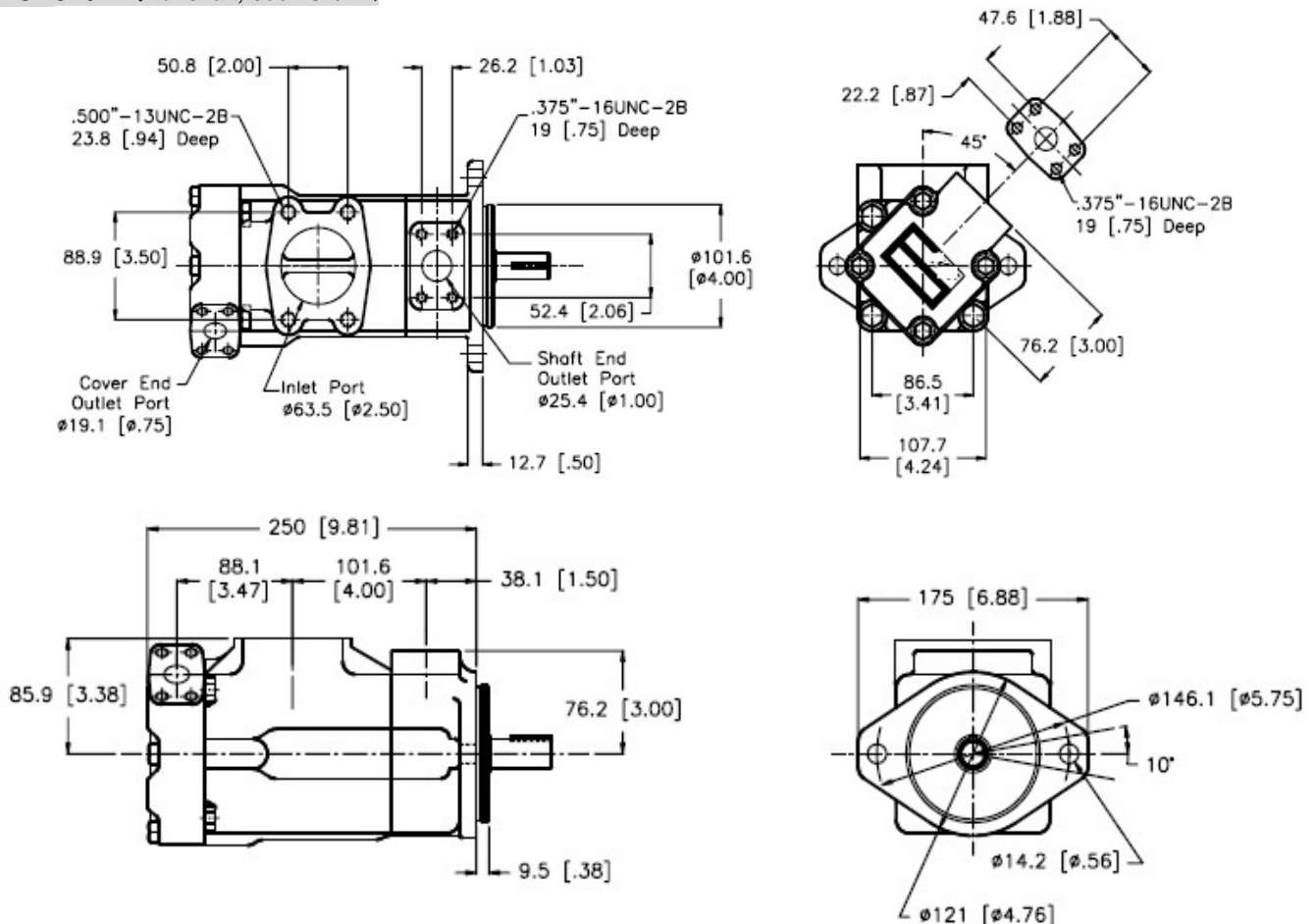
Double Pump VQ Series

| Series | Displacement code of shaft end pump | Displacement code of cover end pump |
|------------------|-------------------------------------|-------------------------------------|
| 2520VQ vane pump | 10, 12, 14, 17, 19, 21 | 5, 8, 9, 11, 12, 14 |
| 2525VQ vane pump | 10, 12, 14, 17, 19, 21 | 10, 12, 14, 17, 19, 21 |
| 3520VQ vane pump | 21, 25, 30, 35, 38 | 5, 8, 9, 11, 12, 14 |
| 3525VQ vane pump | 21, 25, 30, 35, 38 | 10, 12, 14, 17, 19, 21 |
| 4520VQ vane pump | 42, 45, 50, 57, 60 | 5, 8, 9, 11, 12, 14 |
| 4525VQ vane pump | 42, 45, 50, 57, 60 | 10, 12, 14, 17, 19, 21 |
| 4535VQ vane pump | 42, 45, 50, 57, 60 | 21, 25, 30, 35, 38 |

Installation Dimensions mm (inch)

Double Pump

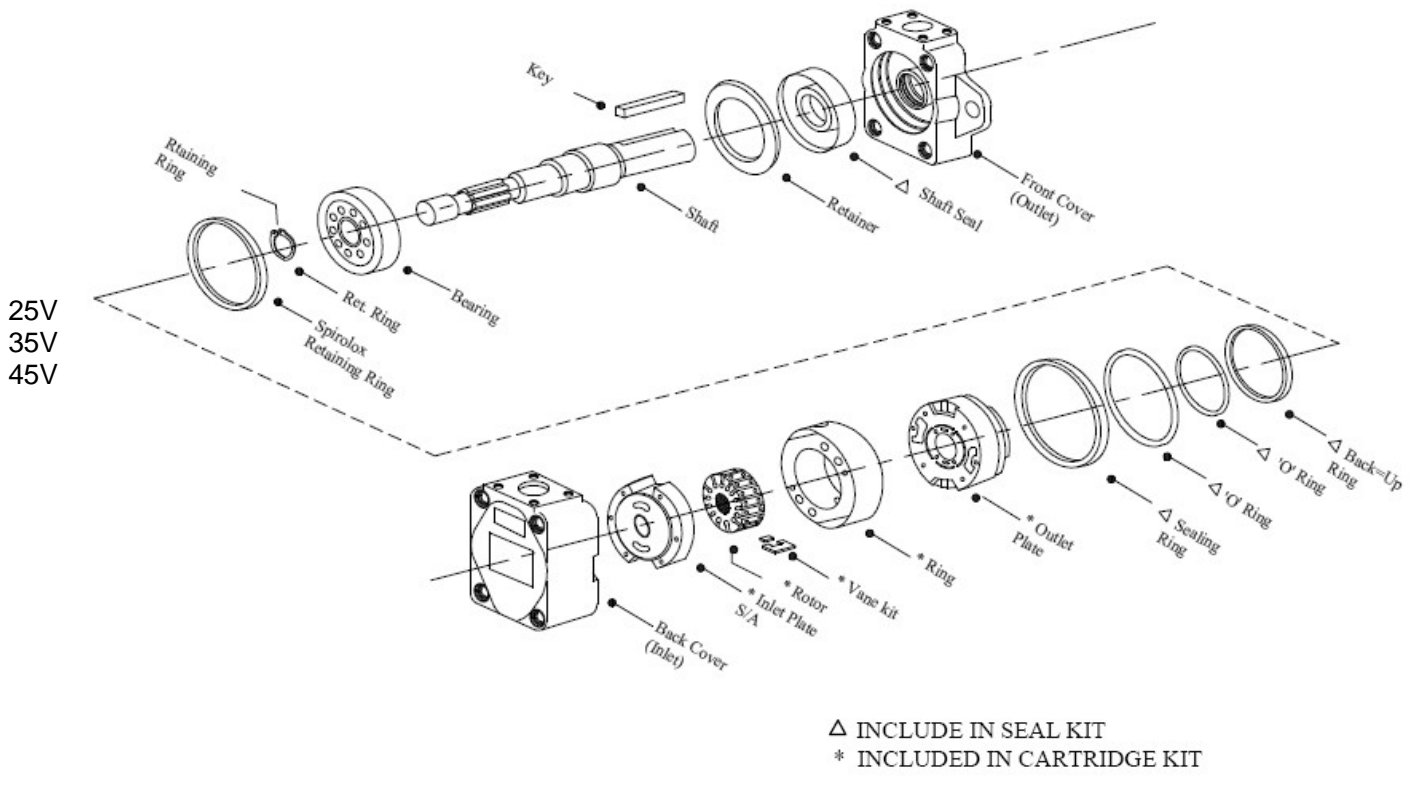
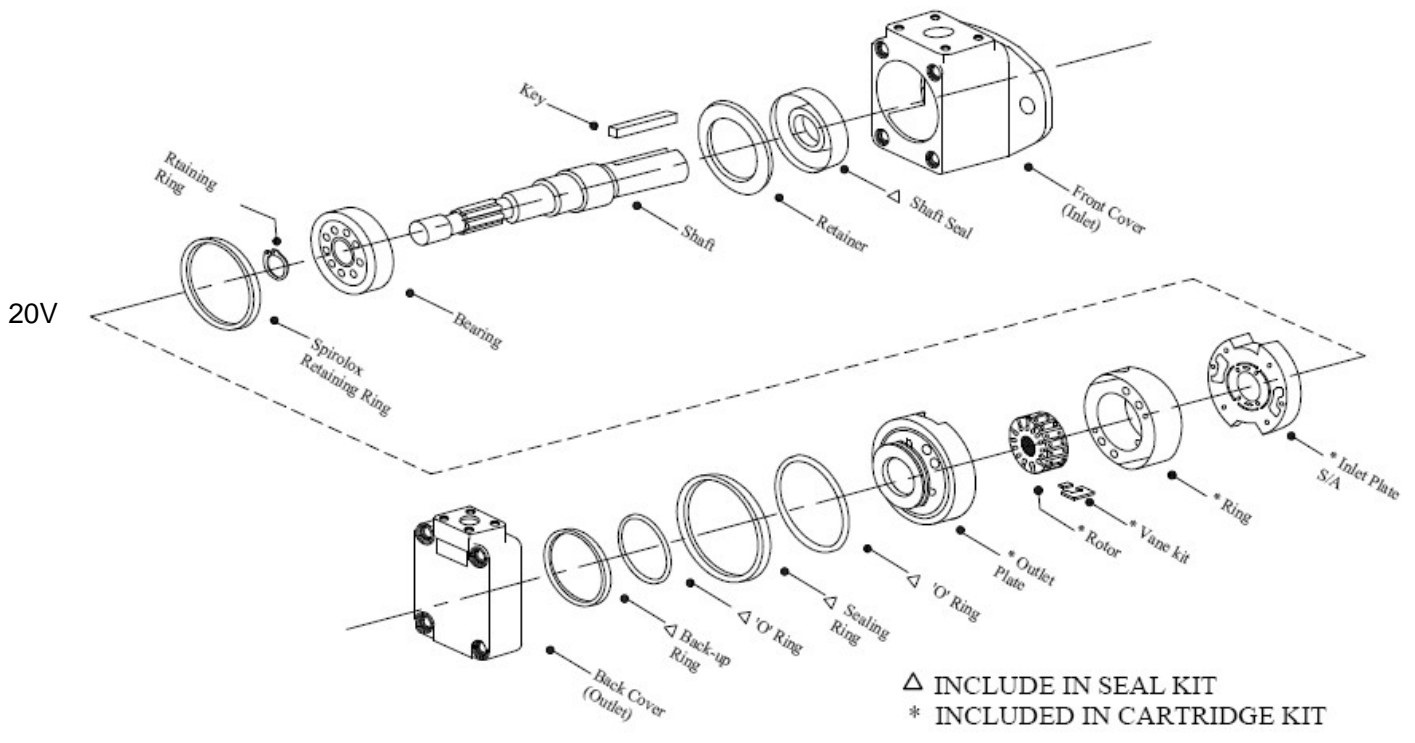
2520V/VQ for shaft, see 25V/VQ





Parts information

Victory Pump Manufacturing

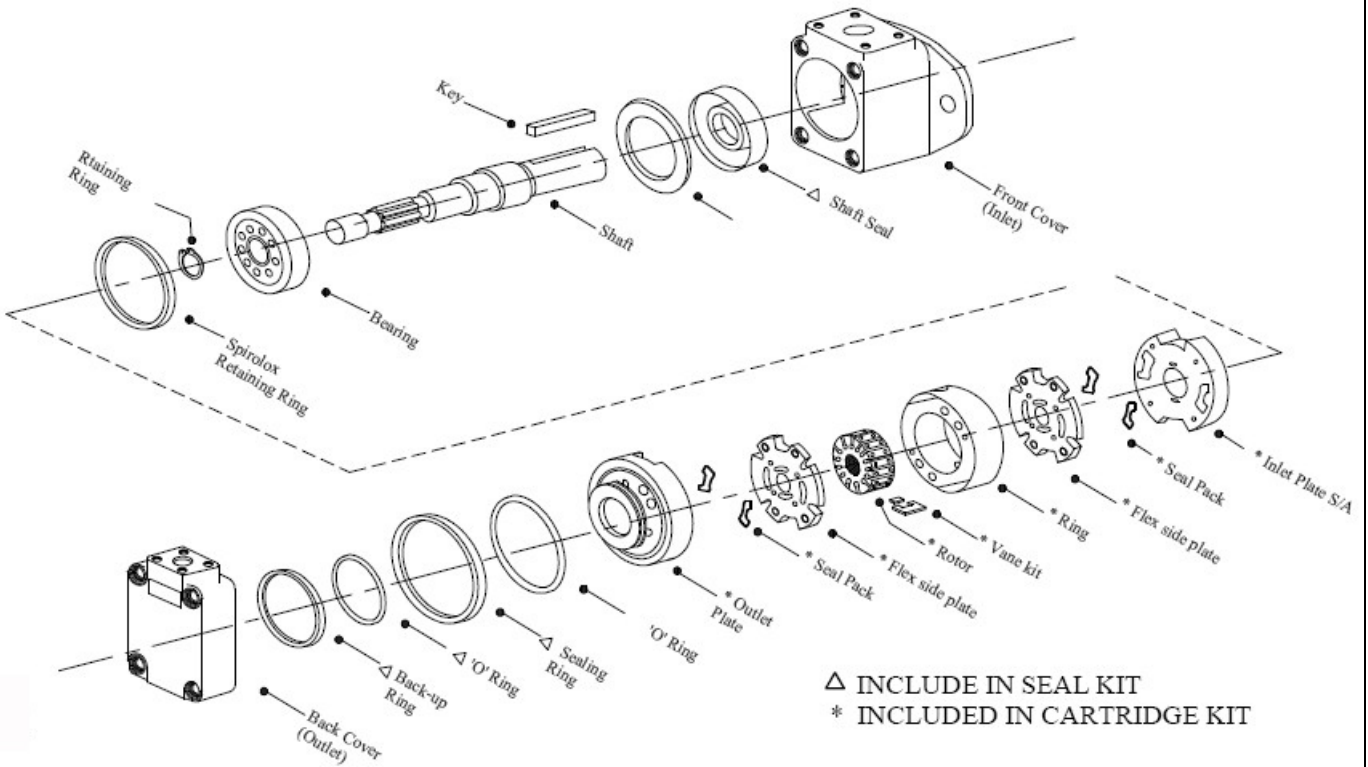




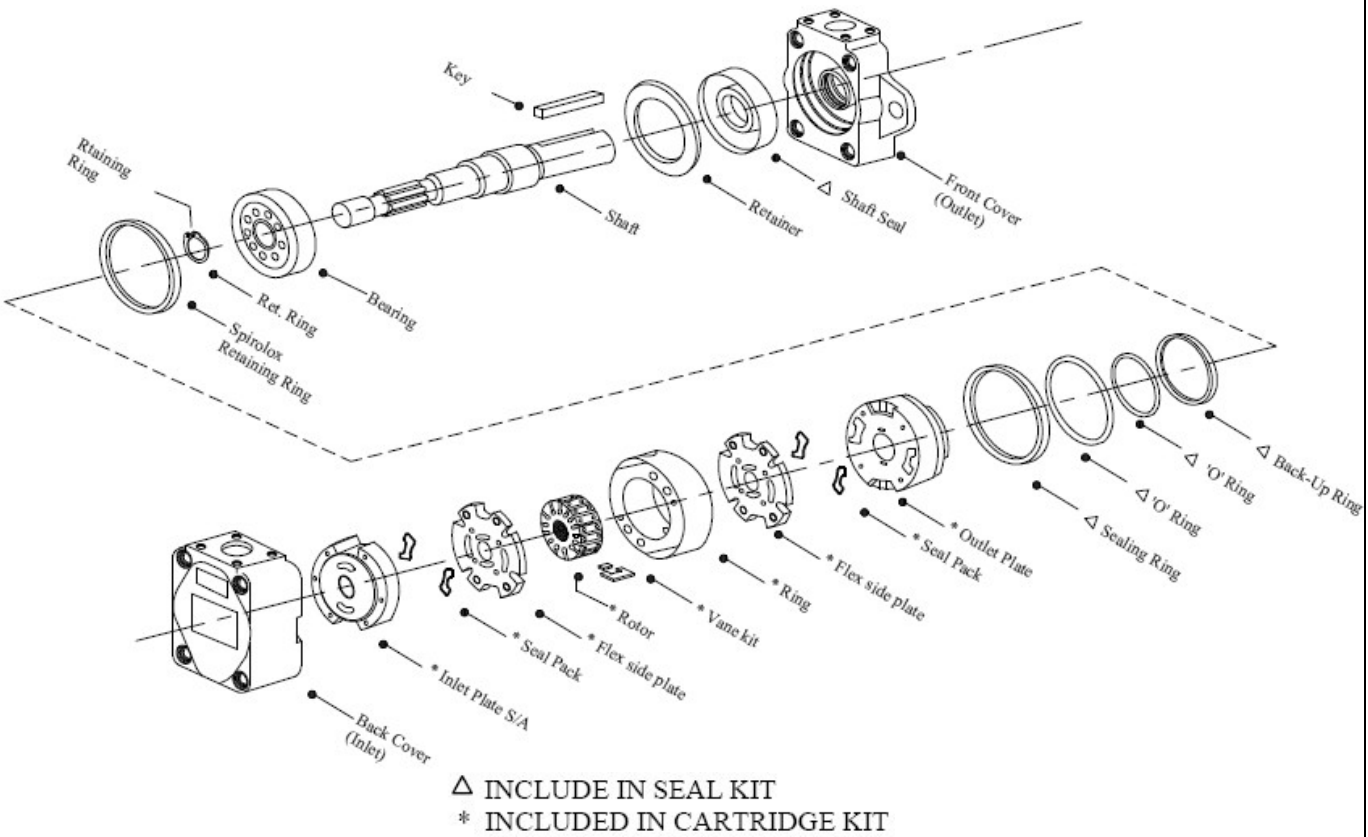
Parts information

Victory Pump Manufacturing

20VQ



25VQ
30VQ
35VQ
45VQ



| Vickers Vane pump | Displacement | A=opposite inlet port | B=- 90° CCW from inlet | C=inline with inlet | D=- 90° CW from inlet |
|------------------------|--|-----------------------|------------------------|---------------------|-----------------------|
| 20V single vane pump | 5 GPM | 20V5A1A22R | 20V5A1B22R | 20V5A1C22R | 20V5A1D22R |
| | 8 GPM | 20V8A1A22R | 20V8A1B22R | 20V8A1C22R | 20V8A1D22R |
| | 9 GPM | 20V9A1A22R | 20V9A1B22R | 20V9A1C22R | 20V9A1D22R |
| | 11 GPM | 20V11A1A22R | 20V11A1B22R | 20V11A1C22R | 20V11A1D22R |
| | 12 GPM | 20V12A1A22R | 20V12A1B22R | 20V12A1C22R | 20V12A1D22R |
| | 14 GPM | 20V14A1A22R | 20V14A1B22R | 20V14A1C22R | 20V14A1D22R |
| 25V single vane pump | 10 GPM | 25V10A1A22R | 25V10A1B22R | 25V10A1C22R | 25V10A1D22R |
| | 12 GPM | 25V12A1A22R | 25V12A1B22R | 25V12A1C22R | 25V12A1D22R |
| | 14 GPM | 25V14A1A22R | 25V14A1B22R | 25V14A1C22R | 25V14A1D22R |
| | 17 GPM | 25V17A1A22R | 25V17A1B22R | 25V17A1C22R | 25V17A1D22R |
| | 19 GPM | 25V19A1A22R | 25V19A1B22R | 25V19A1C22R | 25V19A1D22R |
| | 21 GPM | 25V21A1A22R | 25V21A1B22R | 25V21A1C22R | 25V21A1D22R |
| 35V single vane pump | 21 GPM | 35V21A1A22R | 35V21A1B22R | 35V21A1C22R | 35V21A1D22R |
| | 25 GPM | 35V25A1A22R | 35V25A1B22R | 35V25A1C22R | 35V25A1D22R |
| | 30 GPM | 35V30A1A22R | 35V30A1B22R | 35V30A1C22R | 35V30A1D22R |
| | 35 GPM | 35V35A1A22R | 35V35A1B22R | 35V35A1C22R | 35V35A1D22R |
| | 38 GPM | 35V38A1A22R | 35V38A1B22R | 35V38A1C22R | 35V38A1D22R |
| 45V single vane pump | 42 GPM | 45V42A1A22R | 45V42A1B22R | 45V42A1C22R | 45V42A1D22R |
| | 45 GPM | 45V45A1A22R | 45V45A1B22R | 45V45A1C22R | 45V45A1D22R |
| | 50 GPM | 45V50A1A22R | 45V50A1B22R | 45V50A1C22R | 45V50A1D22R |
| | 57 GPM | 45V57A1A22R | 45V57A1B22R | 45V57A1C22R | 45V57A1D22R |
| | 60 GPM | 45V60A1A22R | 45V60A1B22R | 45V60A1C22R | 45V60A1D22R |
| Vickers Vane pump | Displacement | A=opposite inlet port | B=- 90° CCW from inlet | C=inline with inlet | D=- 90° CW from inlet |
| 2520V double vane pump | Front and rear 5, 8, 9, 11, 12, 14, 17, 19, 21 | 2520V10A51CC22R | 2520V12A51CC22R | 2520V14A51CC22R | 2520V17A51CC22R |
| | | 2520V10A81CC22R | 2520V12A81CC22R | 2520V14A81CC22R | 2520V17A81CC22R |
| | | 2520V10A91CC22R | 2520V12A91CC22R | 2520V14A91CC22R | 2520V17A91CC22R |
| | | 2520V10A111CC22R | 2520V12A111CC22R | 2520V14A111CC22R | 2520V17A111CC22R |
| | | 2520V10A121CC22R | 2520V12A121CC22R | 2520V14A121CC22R | 2520V17A121CC22R |
| | | 2520V10A141CC22R | 2520V12A141CC22R | 2520V14A141CC22R | 2520V17A141CC22R |
| 3520V double vane pump | Front and rear 5, 8, 9, 11, 12, 14, 21, 25, 30, 35, 38 | 3520V25A51CC22R | 3520V30A51CC22R | 3520V35A51CC22R | 3520V38A51CC22R |
| | | 3520V25A81CC22R | 3520V30A81CC22R | 3520V35A81CC22R | 3520V38A81CC22R |
| | | 3520V25A91CC22R | 3520V30A91CC22R | 3520V35A91CC22R | 3520V38A91CC22R |
| | | 3520V25A111CC22R | 3520V30A111CC22R | 3520V35A111CC22R | 3520V38A111CC22R |
| | | 3520V25A121CC22R | 3520V30A121CC22R | 3520V35A121CC22R | 3520V38A121CC22R |
| | | 3520V25A141CC22R | 3520V30A141CC22R | 3520V35A141CC22R | 3520V38A141CC22R |
| 3525V double vane pump | Front and rear 10, 12, 14, 17, 19, 21, 25, 30, 35, 38 | 3525V25A101CC22R | 3525V25A121CC22R | 3525V25A141CC22R | 3525V25A171CC22R |
| | | 3525V30A101CC22R | 3525V30A121CC22R | 3525V30A141CC22R | 3525V30A171CC22R |
| | | 3525V35A101CC22R | 3525V35A121CC22R | 3525V35A141CC22R | 3525V35A171CC22R |
| | | 3525V38A101CC22R | 3525V38A121CC22R | 3525V38A141CC22R | 3525V38A171CC22R |
| 4520V double vane pump | Front and rear 5, 8, 9, 11, 12, 14, 42, 45, 50, 57, 60 | 4520V42A51AA22R | 4520V45A51AA22R | 4520V50A51AA22R | 4520V60A51AA22R |
| | | 4520V42A81AA22R | 4520V45A81AA22R | 4520V50A81AA22R | 4520V60A81AA22R |
| | | 4520V42A91AA22R | 4520V45A91AA22R | 4520V50A91AA22R | 4520V60A91AA22R |
| | | 4520V42A111AA22R | 4520V45A111AA22R | 4520V50A111AA22R | 4520V60A111AA22R |
| | | 4520V42A121AA22R | 4520V45A121AA22R | 4520V50A121AA22R | 4520V60A121AA22R |
| | | 4520V42A141AA22R | 4520V45A141AA22R | 4520V50A141AA22R | 4520V60A141AA22R |
| 4535V double vane pump | Front and rear 21, 25, 30, 35, 38, 42, 45, 50, 57, 60 | 4535V42A251AA22R | 4535V45A251AA22R | 4535V50A251AA22R | 4535V60A251AA22R |
| | | 4535V42A301AA22R | 4535V45A301AA22R | 4535V50A301AA22R | 4535V60A301AA22R |
| | | 4535V42A351AA22R | 4535V45A351AA22R | 4535V50A351AA22R | 4535V60A351AA22R |
| | | 4535V42A381AA22R | 4535V45A381AA22R | 4535V50A381AA22R | 4535V60A381AA22R |

| Details Vickers vane pump | | | | |
|---------------------------|------------------|------------------|--------------------|-------------------|
| 2520V17A11182AA20 | 3520V38A811AB20 | 2520V21A51AA20L | 4525V60A171CB20 | 2520V12A51CC20 |
| 3520V35A1486CC20L | 3525V35A171AA20 | 2520V21A51AB20 | 26V14A1C20 | 2520V14A1411AA20L |
| 2520V17A886AA20 | 3525V35A171AA20L | 2520V21A51AB20 | 4520V50A1111CC20 | 2520V17A81AA20 |
| 2520V19A811CC20 | 3525V35A171CC20 | 2520V21A51CB20L | 4525V42A211CC20 | 2520V17A81AA20L |
| 4525V42A1286AA20 | 25V12A11A20 | 2520V21A51CC20 | 4520V60A886AA20 | 2520V17A81BD20 |
| 2520V21A14182BB20 | 25V12A11A20L | 2520V21A51DD20L | 4520V60A886DD20 | 2520V17A81CB20 |
| 2520V21A14182BB20L | 25V12A11B20L | 2520V21A81AA20 | 4535V42A351CC20 | 2520V17A81CB20L |
| 2520V12A1186AA20 | 25V12A11C20 | 2520V21A81AA20L | 4520V50A511CC20 | 2520V17A81CC20 |
| 3525V38A1911CC20L | 25V12A11C20L | 2520V21A81AB20L | 3525V38A141CC20L | 2520V17A811AA20 |
| 2520V14A21BA20 | 4525V60A2111CC20 | 2520V21A81CB20 | 3520V25A141AA20L | 2520V17A811AA20L |
| 2520V14A21CC20 | 4525V50A121CC20 | 2520V21A81CB20L | 3520V35A81AA20 | 2520V17A811BB20 |
| 2520V14A21DD20 | 3520V38A511AB20 | 2520V21A81CC20 | 3520V38A121CC20 | 2520V17A811BD20 |
| 2520V12A211CB20 | 4520V42A811CC20 | 2520V21A81CC20L | 4520V60A121CC20 | 2520V17A811CC20 |
| 2520V14A1186AA20 | 2520V12A121CB20L | 2520V21A81DC20 | 31V24A1C20 | 2520V17A811CC20L |
| 2520V14A1186CC20 | 2520V14A1211BA20 | 2520V21A81DC20L | 4525V42A171CC20 | 2520V17A811CD20 |
| 4535V60A3086CC20334 | 2520V14A1211CC20 | 2520V21A111AA20 | 20V11A151A30 | 2520V17A811CD20L |
| 4535V60A3086CC20334L | 2520V17A121CC20 | 2520V21A111BC20 | 2520V21A11182AA20 | 2520V17A1125AA20L |
| 2520V21A586AA20 | 2520V17A121CC20L | 2520V21A111CB20L | 2520V21A11182BB20 | 2520V17A141AA20 |
| 2520V21A586AC20 | 2520V21A121AA20 | 2520V21A111CC20 | 2520V21A11182BB20L | 2520V17A141AA20L |

| | | | | |
|-------------------|-------------------|-------------------|-------------------|-------------------|
| 2520V12A21BA20 | 2520V21A121CC20 | 2520V21A111CC20L | 2520V21A11182CB20 | 2520V17A141CC20 |
| 2520V14A886CC20 | 2520V17A111AA20L | 2520V21A111CD20 | 4535V50A3086CC20 | 2520V17A141CC20L |
| 25V21A1A20 | 2520V17A111BD20L | 2520V21A1211AA20 | 4535V50A3086DD20 | 2520V17A141DB20L |
| 25V21A1A20L | 2520V17A111CC20 | 2520V21A1211DC20R | 4535V60A3586AA20 | 2520V17A141DC20L |
| 25V21A1B20 | 2520V17A111CC20L | 2520V21A1211DC20L | 4535V60A3586CC20 | 2520V17A1411AA20 |
| 25V21A1C20 | 2520V17A111DC20 | 2520V21A141AA20 | 3525V35A1286AA20 | 2520V17A1411AA20L |
| 25V21A1C20L | 2520V17A111DD20 | 2520V21A141AA20L | 3525V35A1286CC20 | 2520V17A1411BA20 |
| 25V21A1D20L | 2520V17A1211CC20 | 2520V21A141CC20 | 4535V42A2586AA20 | 2520V17A1411CC20 |
| 45V60A86A20 | 2520V12A1111AA20 | 2520V21A141CC20L | 3520V25A1486AA20L | 2520V17A1411CC20L |
| 45V60A86C20 | 2520V12A1111AA20L | 3525V25A211AA20 | 3520V25A1486CC20 | 2520V21A51AA20 |
| 45V60A86C20L | 2520V12A1111CC20 | 3525V25A211AA20L | 3520V30A1286AD20 | 4525V50A2111AA20 |
| 35V38A86A20 | 2520V12A811AA20 | 3525V25A211AB20L | 3520V30A1286CC20 | 4525V50A2111CC20 |
| 35V30A86A20 | 2520V12A811CB20 | 3525V25A211CC20 | 3520V30A1186AD20 | 4535V60A381AA20 |
| 35V30A86C20 | 2520V12A811CC20 | 3525V25A2119AA20L | 3525V30A1719BA20 | 4535V60A381AA20L |
| 35V25A86A20 | 30V24A11C20 | 3525V30A2111AA20 | 20V8A1A30 | 4535V60A381CC20 |
| 3520V38A1486CC20L | 2520V12A111CC20 | 3525V30A2111AD20 | 20V8A1A30L | 4535V60A251CC20 |
| 25V17A1A20 | 2520V17A511AA20 | 3525V30A2111CC20 | 20V8A1C30 | 4525V60A211AA20 |
| 25V17A1A20L | 2520V17A511BB20 | 3525V30A2111CC20L | 20V8A1C30L | 4525V60A211AA20L |
| 25V17A1A20L | 25V14C11B12L | 3525V35A2111AA20 | 3525V30A1711BB30L | 4525V60A211CC20 |
| 25V17A1B20 | 3525V38A2111AA20 | 3525V35A2111AA20L | 3520V25A1286AA20 | 4535V50A3811CC20L |
| 25V17A1C20 | 3525V38A2111BB20 | 3525V35A2111AD20 | 3520V25A1286CC20 | 4520V42A51AA20 |
| 25V17A1C20L | 3525V38A2111CC20 | 3525V35A2111CB20 | 3520V25A1286CC20 | 4525V50A2186CC20 |
| 25V17A1D20L | 3520V38A1411CB20L | 3525V35A2111CC20 | 4535V50A2586CC20 | 3525V38A171AA20 |
| 25V14A1A20 | 3520V30A141AD20L | 3525V38A1211AA20 | 3520V38A1186CC20 | 3525V38A171AA20L |
| 25V14A1A20L | 3520V30A141BB20L | 3525V38A1211CC20L | 3520V38A1186CC20L | 3525V38A171CC20 |
| 25V14A1C20 | 3520V30A141CC20 | 3525V38A211AA20L | 3520V30A1119CC20 | 3520V35A11-1BA20 |
| 25V14A1C20L | 3520V38A81CC20 | 3525V38A211AB20L | 3520V35A1119CC20 | 3520V25A511DC20 |
| 25V14A1D20 | 3520V38A81CD20 | 3525V38A211BA20L | 4520V60A811AA20 | 4525V50A211AA20 |
| 25V12A1A20 | 2520V14A811AA20 | 3525V38A211CC20 | 4520V60A811CC20 | 4525V50A211BB20 |
| 25V12A1A20L | 3525V30A211AA20L | 3525V38A211CC20L | 2520V14A111AA20L | 4525V50A211CC20 |
| 25V12A1C20 | 3525V38A211AB20 | 2520V14A51AA20 | 3525V30A1711BB20 | 4525V60A121CC20 |
| 25V12A1C20L | 3525V30A211CB20L | 2520V14A51CC20 | 3525V30A1711CC20 | 3520V30A1211AA20 |
| 30V24A1A20 | 3525V30A211CC20 | 2520V14A81AA20 | 3525V35A141CC20 | 3520V30A1211CC20 |
| 30V24A1A20L | 3525V30A211CC20L | 2520V14A81AA20L | 25V14A6A20L | 3520V30A1211DD20L |
| 30V24A1C20 | 3525V35A211AB20 | 2520V14A81CC20 | 4535V60A3011CC20 | 3525V25A1411CB20 |
| 30V24A1C20L | 3525V35A211AB20L | 2520V14A81CC20L | 4535V42A3511CC20 | 4535V50A381AA20 |
| 35V35A11A20 | 3525V35A211CC20 | 3520V25A51AA20 | 3525V35A1711AA20 | 4535V50A381CC20 |
| 35V35AB11L20 | 26V12A3C20L | 3520V25A51AD20 | 3525V35A1711AA20L | 3525V25A5111AA20L |
| 35V35A11C20 | 3520V38A141AA20 | 3520V25A51CC20 | 3525V35A1711BD20 | 3525V25A1711CB20 |
| 35V35A11D20L | 3520V38A141CC20 | 45V42A86A20 | 3520V38A51CC20 | 3525V30A1211DC20 |
| 25V21A86A20L | 3520V38A141CC20L | 45V42A86A20L | 4520V42A81CC20L | 2520V21A925DA20 |
| 45V42A11A20 | 3525V25A141AA20 | 45V42A86B20 | 3520V38A111CC20 | 2520V12A81AA20 |
| 45V50A11A20 | 3525V25A141CC20 | 45V42A86C20 | 2520V21A91AB20L | 2520V12A81AA20L |
| 45V50A11C20 | 3520V30A511AA20 | 45V50A1A20 | 2520V21A91CC20 | 2520V12A81CC20 |
| 45V50A11C20L | 3520V30A511BC20L | 45V50A1A20L | 3520V25A1411CC20 | 2520V12A81DA20 |
| 45V60A11A20 | 3520V30A511CC20 | 45V50A1C20 | 4535V50A3011CC20 | 2520V14A1111CC20 |
| 45V60A11B20 | 2520V14A121CC20 | 45V50A1C20L | 4535V50A3511CC20 | 2520V14A141AB20 |
| 45V60A11B20L | 3525V25A1411CC20 | 45V60A1A20 | 3520V30A121CC20L | 2520V14A141AB20L |
| 45V60A11C20 | 3525V30A121CC20 | 45V60A1A20L | 3520V35A141AA20L | 2520V14A141CC20 |
| 45V60A11C20L | 3525V30A171AA20 | 45V60A1C20 | 3520V25A1211CC20 | 2520V21A811AA20 |
| 25V14A11A20 | 3525V30A171AA20L | 45V60A1D20 | 4535V60A3886AA20 | 2520V21A811BA20L |
| 25V14A11A20L | 3525V30A171CC20 | 3520V38A1111AB20L | 4535V60A3886CC20 | 2520V21A811BB20 |
| 25V14A11B20L | 26V17A1C20 | 3520V38A1111CB20 | 3520V35A121AA20 | 2520V21A811CC20 |
| 25V14A11C20 | 3525V38A1411AA20 | 3520V38A1111DB20L | 4520V42A1411CC20 | 2520V21A811DA20 |
| 25V14A11C20L | 3525V38A121AA20L | 3520V38A1111DD20 | 4535V60A3511AA20L | 2520V17A51AA20 |
| 25V17A11A20 | 3520V30A1411CB20 | 3525V38A1711AA20 | 4535V60A3511CC20 | 2520V17A51AA20L |
| 25V17A11A20L | 3520V30A1411CB20L | 3520V25A1111AA20 | 4535V60A3511CC20L | 2520V17A51CB20L |
| 25V17A11B20 | 3520V30A111AA20 | 3520V25A1111AA20L | 4535V60A3086AA20 | 2520V17A51CC20 |
| 25V17A11B20L | 3520V30A111AD20L | 3520V25A1111BA20L | 4535V60A3086AA20L | 2520V14C1411CC20 |
| 25V17A11C20 | 3520V30A111CC20 | 3520V25A1111CB20L | 4535V60A3086CC20 | 2520V17A1111AA20 |
| 25V17A11C20L | 3520V25A811AA20 | 3520V25A1111DC20 | 4535V60A3086CC20L | 2520V17A1111AA20L |
| 25V17A11D20 | 3525V25A121AA20 | 3520V30A1111CA20 | 2520V21A911AA20 | 2520V17A1111CC20 |
| 25V21A11A20 | 3525V25A121BA20L | 3520V30A1111CB20 | 3525V30A141CC20 | 2520V21A511AA20 |
| 25V21A11A20L | 3525V35A121AA20 | 3520V30A1111DC20 | 3525V30A141CC20L | 2520V21A511AA20L |
| 25V21A11B20L | 3520V35A1211AA20 | 4535V60A2511CC20 | 25V19A1C20 | 2520V21A511CC20 |
| 25V21A11C20 | 45V42A1A20 | 35V38A11A20 | 4525V60A141AA20 | 3520V30A51CC20 |
| 25V21A11C20L | 45V42A1A20L | 35V38A11C20 | 4525V60A141CC20 | 3525V35A1486CC20 |
| 26V21A1C20 | 45V42A1C20 | 35V38A11C20L | 3525V38A1786AA20 | 4525V42A1411CC20L |
| 26V21A3C20 | 45V42A1C20L | 35V25A11A20 | 3525V38A1786CC20 | 4525V42A1411CC20L |
| 26V21A3C20L | 4535V60A3811AA20 | 35V25A11A20L | 3525V30A1786AA20 | 3520V38A886CC20 |
| 30V28A1A20 | 4535V60A3811AA20L | 35V25A11C20 | 3525V30A1786AA20L | 4535V50A3886CC20 |
| 30V28A1A20L | 4535V60A3811BB20L | 35V25A11C20L | 3525V30A1786CC20L | 4525V42A2186CC20 |
| 30V28A1C20 | 4535V60A3811CC20 | 35V25A11D20L | 3525V38A1219CC20 | 3525V25A1286AA20 |
| 35V30A4D20 | 4535V60A3811DD20L | 3525V25A2111AA20 | 3525V35A1211CC20 | 4525V60A1286CC20 |
| 35V30A11A20 | 4535V50A2511BB20 | 3525V25A2111AA20L | 4525V60A1211CC20 | 4525V60A1786CC20 |
| 35V30A11A20L | 4535V50A2511CC20 | 3525V25A2111DD20L | 4520V50A886AA20 | 3525V25A1786CC20 |
| 35V30A11C20 | 4535V50A301CC20 | 4525V42A2111BB20L | 3525V38A2186BC20 | 3520V35A886CC20 |
| 35V30A11C20L | 4535V50A301DD20 | 2520V21A1411AA20 | 3525V38A2186CC20 | 3520V35A886CC20L |
| 35V25A1A20 | 3520V25A121AA20L | 2520V21A1411A20L | 4520V60A141CC20 | 4535V42A3086CC20 |
| 35V25A1A20L | 3520V25A121AD20 | 2520V21A1411BB20 | 3525V25A1486AA20 | 4535V42A3086DB20 |
| 35V25A1B20 | 3520V25A121AD20L | 2520V21A1411CC20 | 3525V30A2186CC20 | 4535V42A3086DB20R |

| | | | | |
|----------------|-------------------|-------------------|-------------------|-------------------|
| 35V25A1C20 | 3520V25A111AD20 | 2520V21A1111AA20 | 4535V60A2586CC20 | 45V60A19C20L |
| 35V25A1C20L | 3520V25A111AD20L | 2520V21A1111AA20L | 4535V60A2586CC20R | 3520V25A1186BB20L |
| 35V35A1A20 | 3520V25A111CC20 | 2520V21A1111CC20 | 3520V30A886CC20 | 3520V25A1186CC20R |
| 35V35A1A20L | 3520V25A111DB20 | 2520V21A1111CD20 | 4520V60A1486AA20L | 4535V42A3886AA20 |
| 35V35A1C20 | 3520V25A111DC20 | 2520V21A1111CD20L | 4520V60A1486CC20 | 2520V12A111AC30 |
| 35V35A1C20L | 4520V60A1211CC20 | 2520V21A1111DB20 | 3525V35A1786AA20L | 35V35A11C30 |
| 35V35A1D20 | 4535V42A2511CC20L | 2520V21A1111DB20 | 4525V60A2186BC20 | 3520V21A511BC30L |
| 35V38A1A20 | 45V50A86A20 | 3520V30A81CC20 | 4525V60A2186CC20 | 20V8A151A30 |
| 35V38A1A20L | 45V50A86A20L | 3520V30A811AA20 | 4520V60A1286CC20 | 20V5A151A30 |
| 35V38A1B20 | 45V50A86C20 | 3520V30A811CB20 | 3520V35A1186CC20L | 20V5A151C30L |
| 35V38A1B20L | 45V50A86C20L | 3520V25A81AA20 | 3525V38A1286DD20 | 4520V42A586CC20 |
| 35V38A1C20 | 2520V12A511AA20 | 3520V25A81AA20 | 4525V50A1786CC20 | 25V21A3C20 |
| 35V38A1C20L | 2520V12A511AD20L | 3520V25A81AA20L | 35V21A1C20 | 25V21A185C20L |
| 35V30A1A20 | 2520V12A511CB20 | 3520V25A81AD20L | 3525V21A2111AD20 | 2520V21A5123CC20 |
| 35V30A1A20L | 2520V12A511CC20L | 3520V25A81CB20L | 3525V21A2111CA20L | 25V21A123A20 |
| 35V30A1C20 | 3520V35A1111AA20 | 3520V25A81CC20 | 4520V42A1286CC20 | 2520V12A51AD20L |
| 35V30A1C20L | 3520V35A1111AA20L | 3525V30A1211AA20 | 3525V25A2186AA20 | 4535V60A301CC20 |
| 2520V12A51AA20 | 4535V60A301AA20 | 3525V30A1211AA20L | 3525V25A2186CC20 | 3525V30A1211BB20 |
| 2520V12A51AB20 | 4535V60A301AA20L | 3525V30A1211AC20 | 3520V25A586AA20 | 3520V25A586CC20 |